

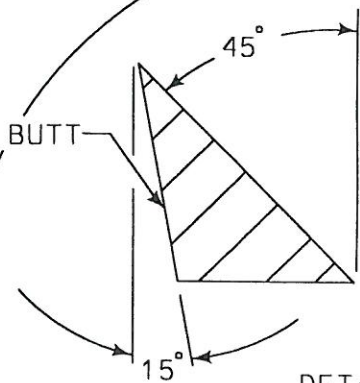
- NOTES:**
- 1) WOODKIT TO BE ASSEMBLED AS SHOWN.
  - 2) COVER ASSEMBLY W/ GREY GEL AFTER ASSEMBLY.
  - 3) REF DWG 13-608 FPR UPHOLSTERY.
  - 4) REF DWG 10-230 FOR INSTALLATION.
  - 5) REF DWG 04-226 FOR LAMINATION.

**REFERENCE ONLY**

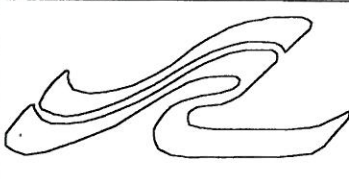

P 688  
6-3/8" X 2" X 3/8" FLEX PLY

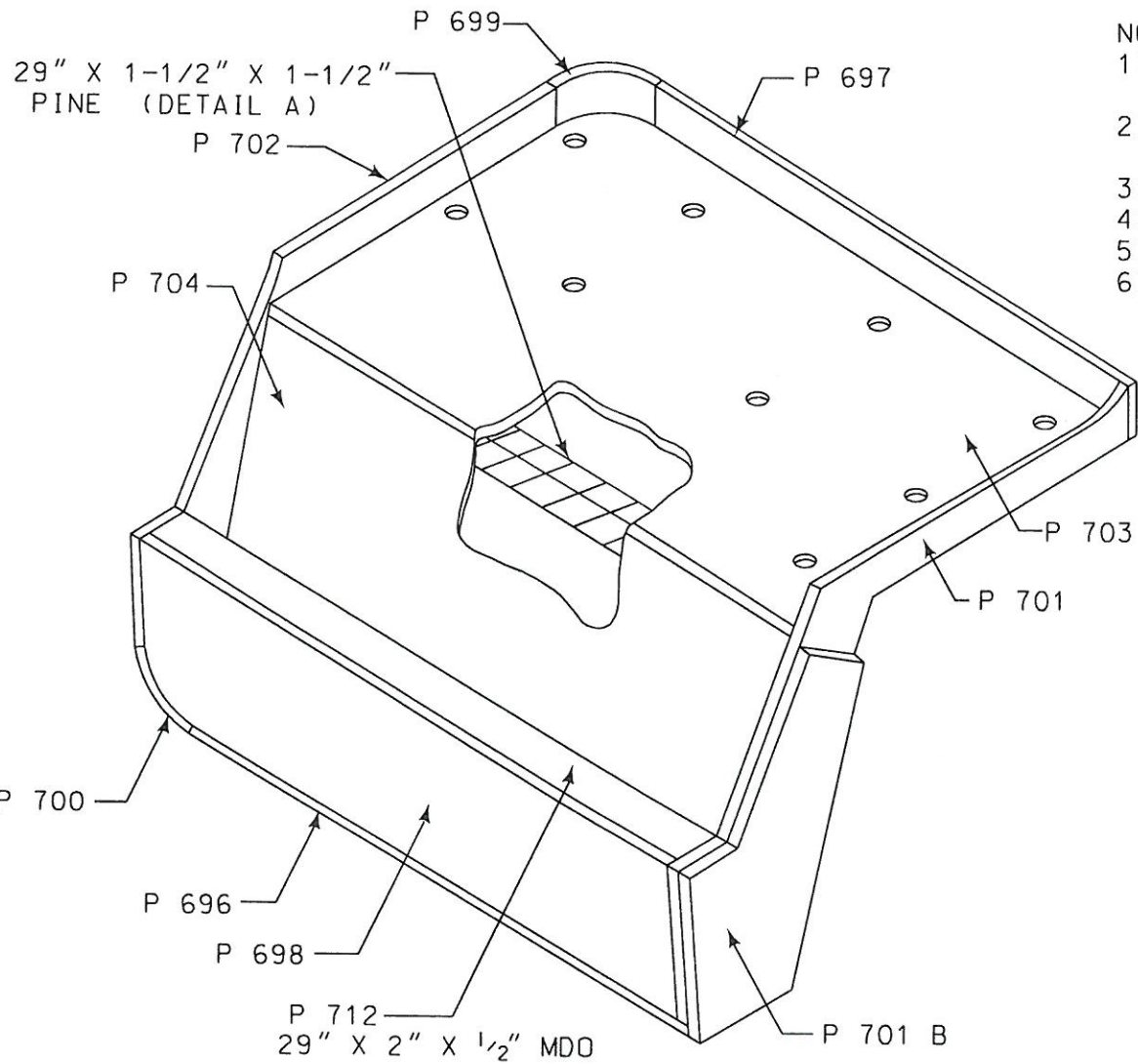
DM 980  
17" X 1" X 1" PINE (2 EA.)

THIS PART BUTT TO P 692



DETAIL A  
DM 976

 <b>ORIGINAL</b>	<b>TITLE:</b> INBD HELM SEAT WOODKIT ASSEMBLY		
	<b>MODEL:</b> 370-SDA	<b>DRAWN BY:</b> J.CASPER	<b>ECN REV.</b>
	<b>DATE:</b> DECEMBER 3, 1995	<b>CHECKED BY:</b>	<b>ECN NO.</b>
	<b>PLANT REV.</b> 3	<b>APPROVED BY:</b> 	<b>DWG NO.</b> 10-226

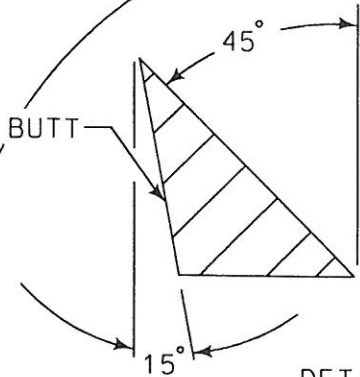


NOTES:

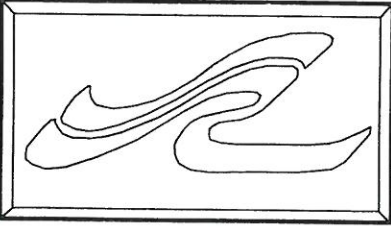
- 1) WOODKIT TO BE ASSEMBLED AS SHOWN.
- 2) COVER ASSEMBLY W/ GREY GEL AFTER ASSEMBLY
- 3) REF DWG 04-228 FOR LAMO
- 4) REF DWG 10-229 FOR FINISHING.
- 5) REF DWG 13-604 FOR UPHOLSTERY
- 6) REF DWG 10-230 FOR INSTALLATION

REFERENCE ONLY

THIS PART BUTT TO P 704



DETAIL A  
DM 976



*Sea Ray*  
**ORIGINAL**

<b>TITLE:</b> OUTBD HELM SEAT WOODKIT ASSEMBLY			
<b>MODEL:</b> 370-SDA	<b>DRAWN BY:</b> J.CASPER	<b>ECN REV.</b>	
<b>DATE:</b> AUGUST 29, 1995	<b>CHECKED BY:</b> <i>[Signature]</i>	<b>ECN NO.</b>	
<b>PLANT REV.</b> 2	<b>APPROVED BY:</b> <i>[Signature]</i>	<b>DWG NO.</b> 10-228	

## 370D MASTER PATTERN LIST

2 '94

PATTERN	DESCRIPTION	DIMENSIONS/PATTERNS	MATERIAL	QTY
683	Helm Seat Inbd/Stbd End	PATTERN	1/2" MDO	1
684	Helm Seat Inbd/Back Brace	PATTERN	1/2" MDO	1
685	Helm Seat Inbd/Back Aft	PATTERN	1/2" MDO	1
686	Helm Seat Inbd/Port End Bottom	PATTERN	1/2" MDO	1
687	Helm Seat Inbd/Port End Top	PATTERN	1/2" MDO	1
688	Helm Seat Inbd/Port Bottom Corner	6 3/8 X 2	3/8 " FLEX PLY	1
689	Helm Seat Inbd/Port Top Corner	PATTERN	3/8 " FLEX PLY	1
690	Helm Seat Inbd/Port Top	PATTERN	1/2" MDO	1
691	Helm Seat Inbd/Bottom Fwd	PATTERN	1/2" MDO	1
692	Helm Seat Inbd/Back Fwd	PATTERN	1/2" MDO	1
693	Helm Seat Inbd/Bottom	PATTERN	1/2" MDO	1
694	Mid Strm Hanging Locker Bottom Access	PATTERN	1/2 1SSWMHPL	1
695	Mid Strm Hanging Locker Side Access	PATTERN	1/2 1SSWMHPL	1
696	Helm Seat Otbd/Top	PATTERN	1/2" MDO	1
697	Helm Seat Otbd/Bottom Fwd	PATTERN	1/2" MDO	1
698	Helm Seat Otbd/Back Aft	PATTERN	1/2" MDO	1
699	Helm Seat Otbd/Bottom Corner	PATTERN	3/8 " FLEX PLY	1
700	Helm Seat Otbd/Top Corner	PATTERN	3/8 " FLEX PLY	1
701	Helm Seat Otbd/Port End	PATTERN	1/2" MDO	1
702	Helm Seat Otbd/Stbd End	PATTERN	1/2" MDO	1
703	Helm Seat Otbd/Bottom	PATTERN	1/2" MDO	1
704	Helm Seat Otbd/Back Fwd	PATTERN	1/2" MDO	1
705	Arch Outer Shell Radar Brace	10 3/4 X 10 3/4	1/2" PLY	1
706	Galley Removable Back	PRINT	1/2 1SSWHPL	1
707	Salon Entertainment Center Lower Storage Side Panels	PATTERN	1/2 1SGBHPL	2
708	Salon Entertainment Center Lower Storage Bottom Panel	4 X 14 7/8	1/2 1SGBHPL	1
709	Salon Entertainment Center Lower Storage Divider Panel	PATTERN	1/2 2SGBHPL	1
710	Mid Strm Stbd Mirror Panel Face	PATTERN	1/2" MDO	1
711	Mid Strm Stbd Mirror Panel Valance	PATTERN	1/2" MDO	1
712	Helm Seat Otbd/Back Brace Lower	2 X 29 1/2	1/2" MDO	1

REVISION:

ECN:

0548

RE AO

PRINT: 03-024